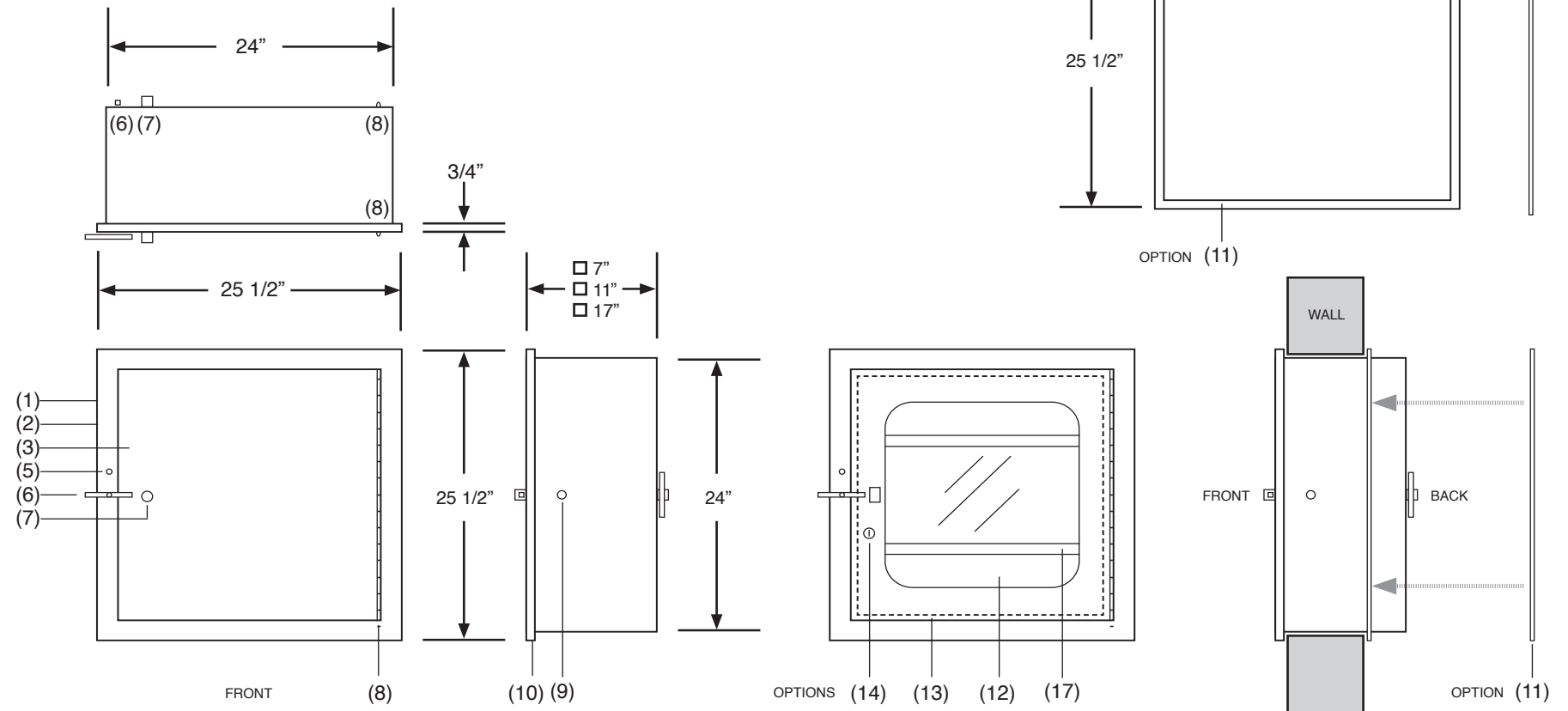


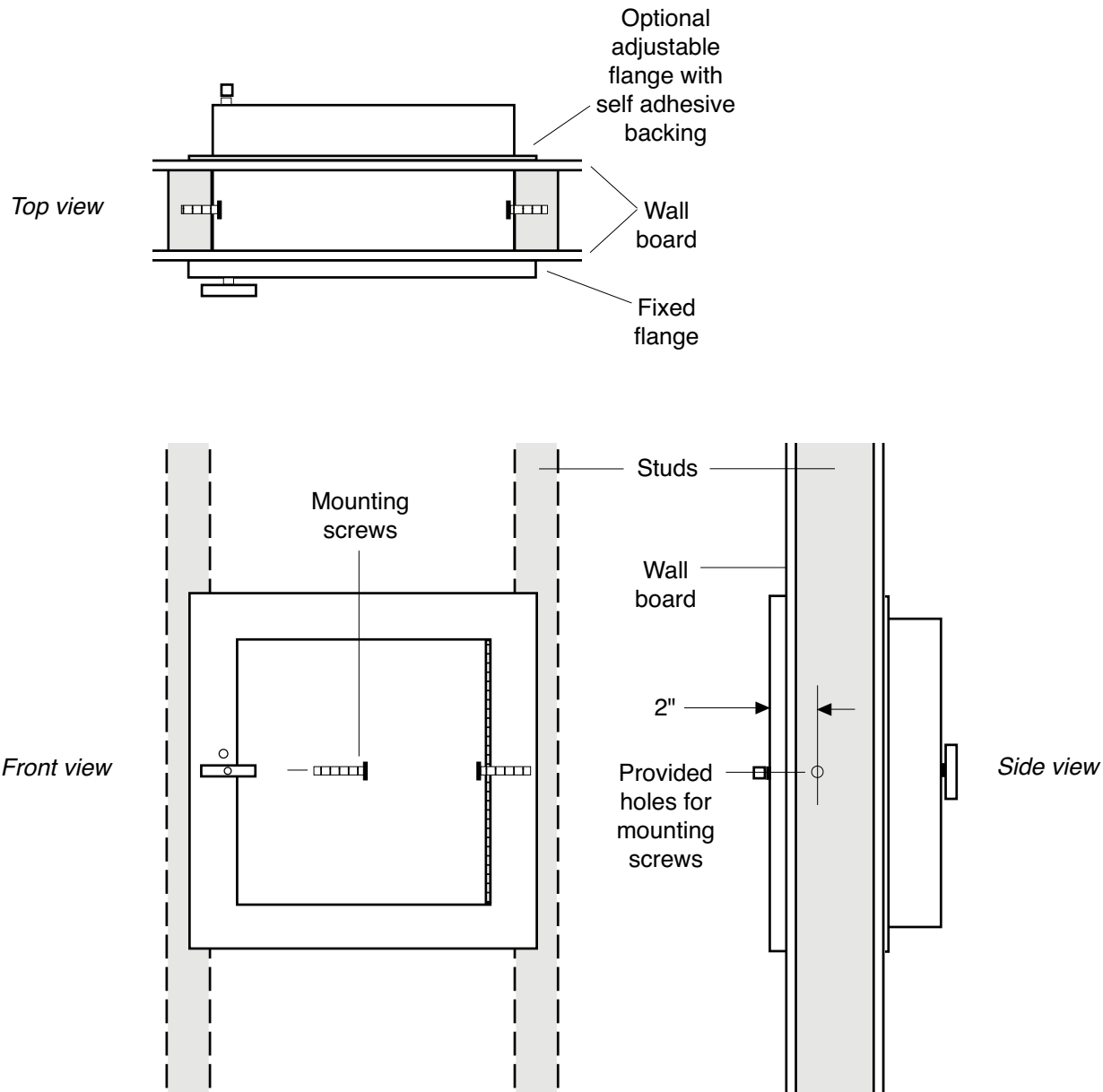
# Specimen Pass Through Cabinet Assembly Guide

## SMS-01-V101-SPT

<b>SMS-101-SPT24247</b>	<b>7" DEEP</b>
<b>SMS-101-SPT24247-GD</b>	<b>7" DEEP</b>
<b>SMS-101-SPT242411</b>	<b>11" DEEP</b>
<b>SMS-101-SPT242411-GD</b>	<b>11" DEEP</b>
<b>SMS-101-SPT242417</b>	<b>17" DEEP</b>
<b>SMS-101-SPT242417-GD</b>	<b>17" DEEP</b>



# Installation, Operation & Maintenance



## Installation

1. Check local codes before beginning installation.
2. Cut wall opening to size: SMS-101-SPT24: 24 3/8" x 24 3/8". Frame opening at least on sides. Insert cabinet into
3. opening. Drill through provided mounting holes into wall studs. Insert appropriate mounting screws into holes and tighten.
4. Remove paper backing from optional adjustable wall flange, exposing high strength adhesive. On the opposite side of wall, slide wall flange over the cabinet and firmly against wall.

## Operation

The cabinet maintains patient privacy by locking one door when the opposite door is open. To open door, push button and turn handle. If button will not push, the opposite door is open, wait for it to be closed and try again.

## Maintenance

The cabinet is maintenance free. To clean, use a mild detergent with water and a clean cloth. Apply, then wipe off a light coat of mineral oil to make the stainless steel shine.

