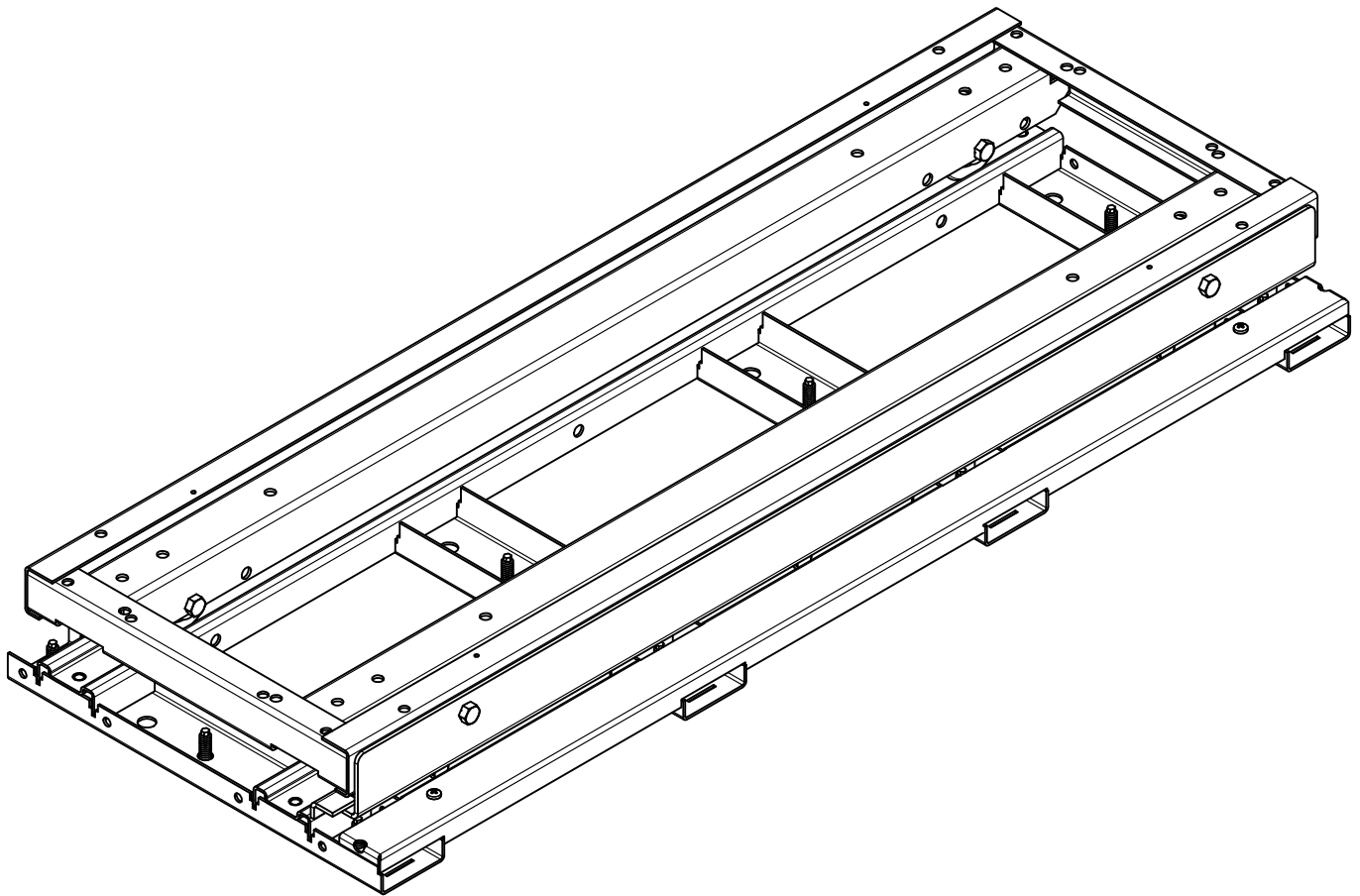


# Sliding Lateral File Cabinets Assembly Guide

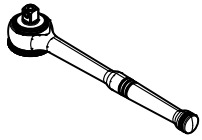
## SMS-25-LATFD



- READ ALL INSTRUCTIONS BEFORE STARTING ASSEMBLY
- OPEN ALL BOXES AND MAKE SURE THAT YOU HAVE ALL REQUIRED COMPONENTS



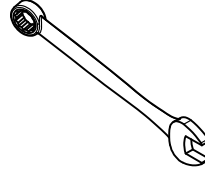
TOOLS NEEDED



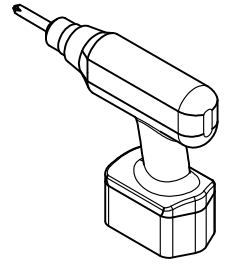
SOCKET WRENCH



1/2" SOCKET

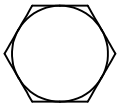


1/2" WRENCH

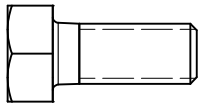


POWER  
DRILL

INCLUDED HARDWARE



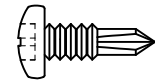
④ 5/16-18 x 3/4"  
HEX HD. BOLT  
QTY (5)



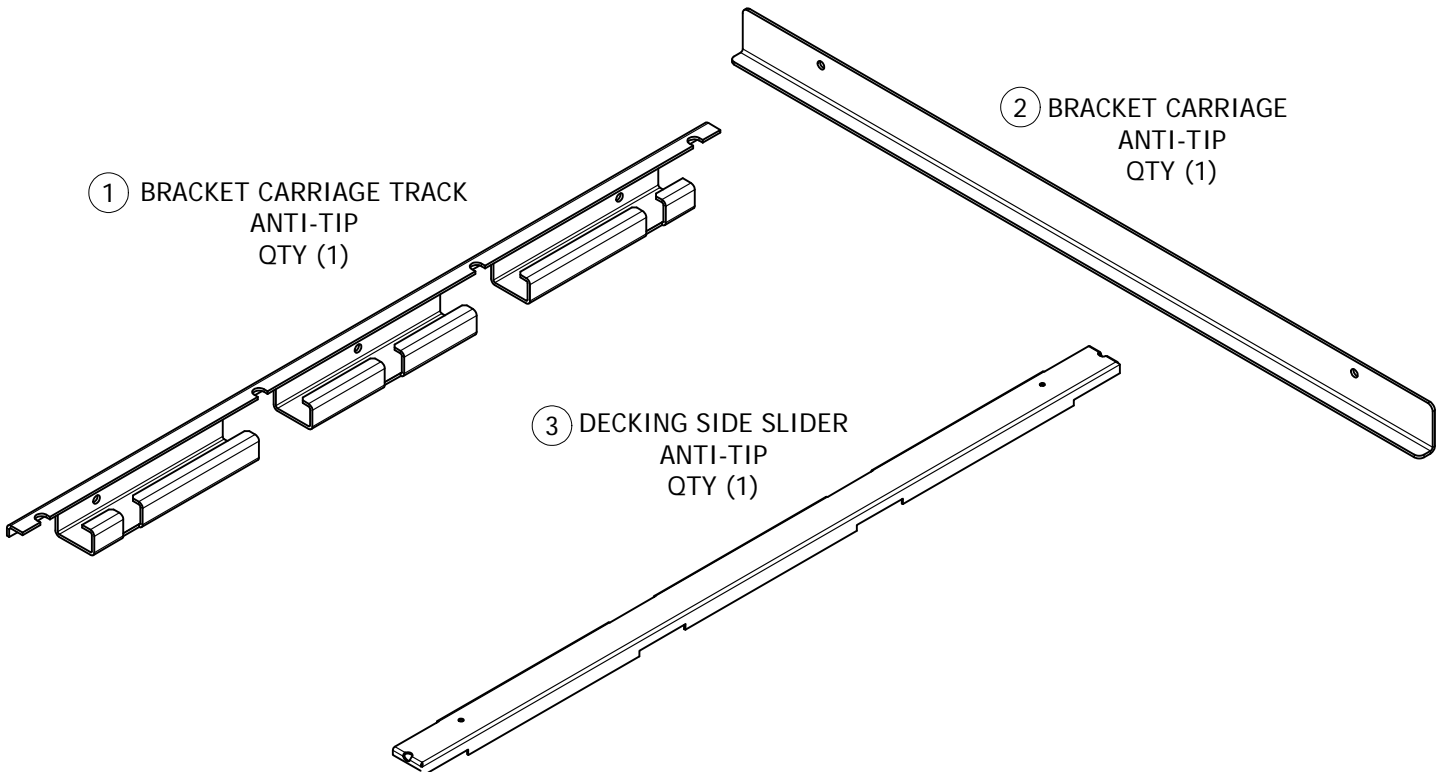
⑤ 5/16-18  
ELASTIC STOP NUT  
QTY (5)



⑥ #10 x 1/2"  
PHIL HD TEK SCREW  
QTY (2)

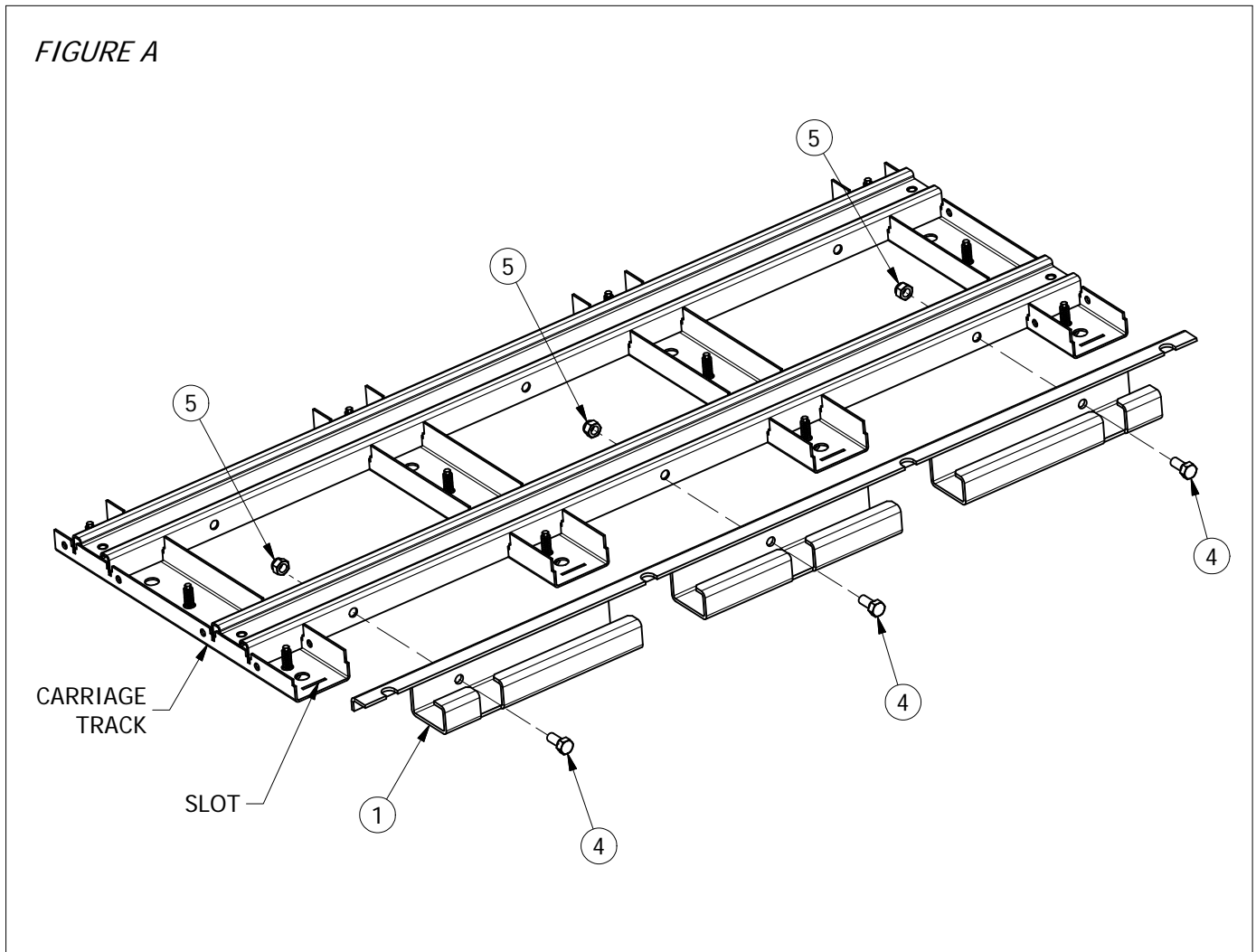


COMPONENTS



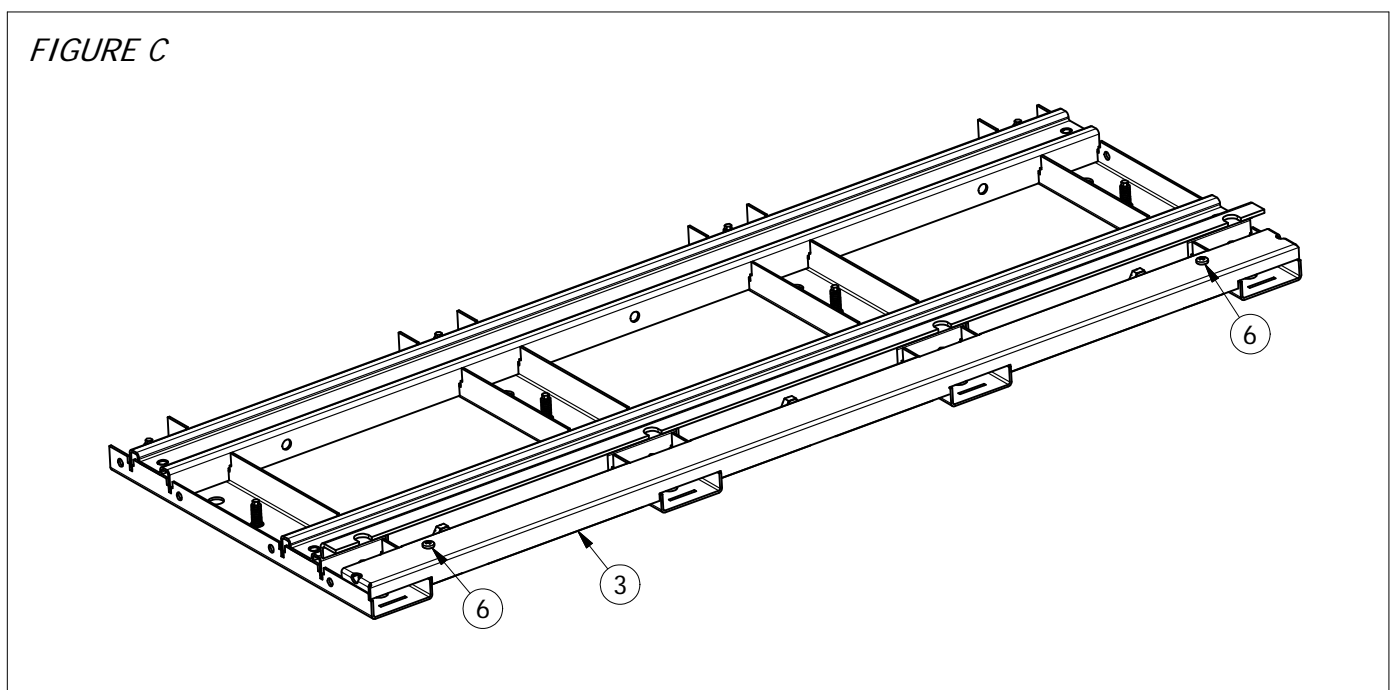
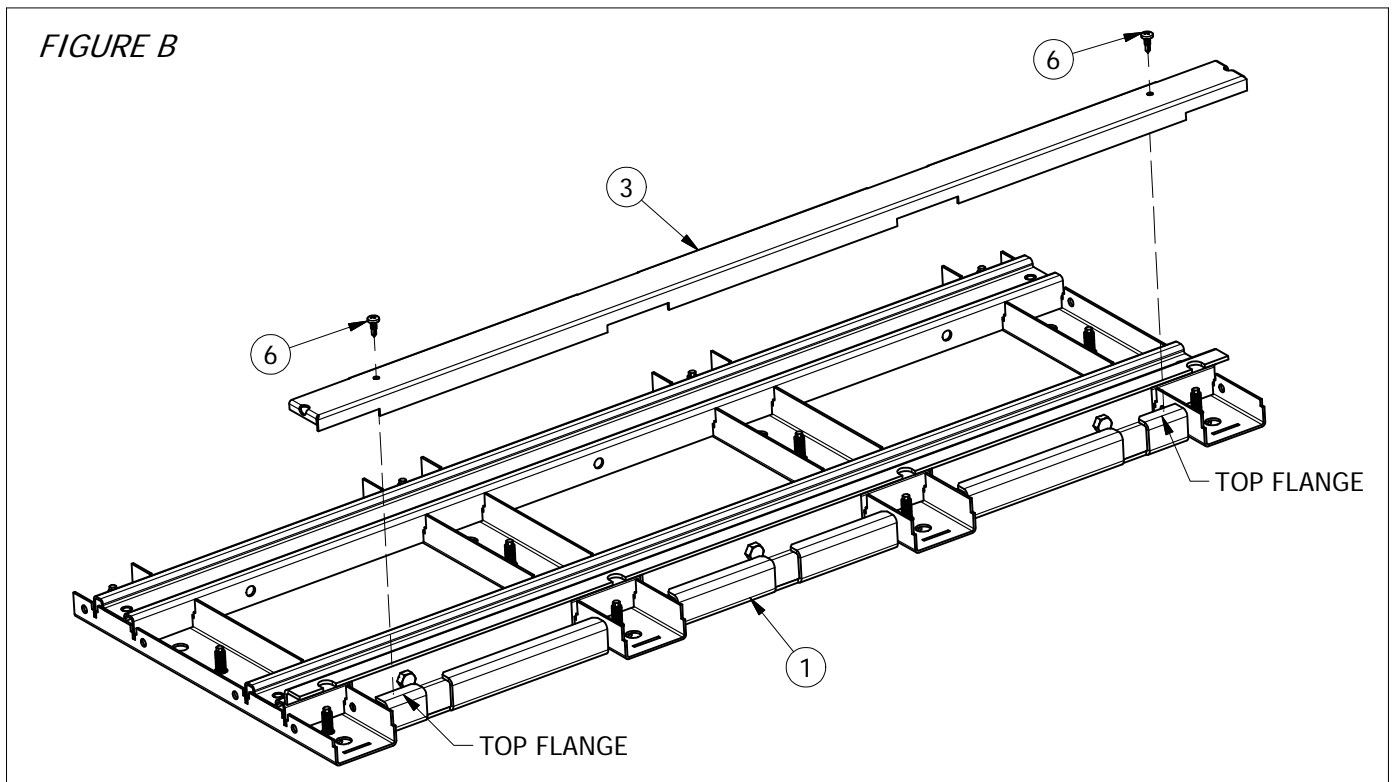
**STEP:1**

ATTACH BRACKET CARRIAGE TRACK (ITEM 1) TO CARRIAGE TRACK ON THE SIDE WITH THE SLOT AS SHOWN IN FIGURE A. SECURE WITH QTY. (3) 5/16-18 x 3/4" HEX HD. BOLTS (ITEM 4), AND 5/16-18 ELASTIC STOP NUTS (ITEM 5), AS SHOWN IN FIGURE A.



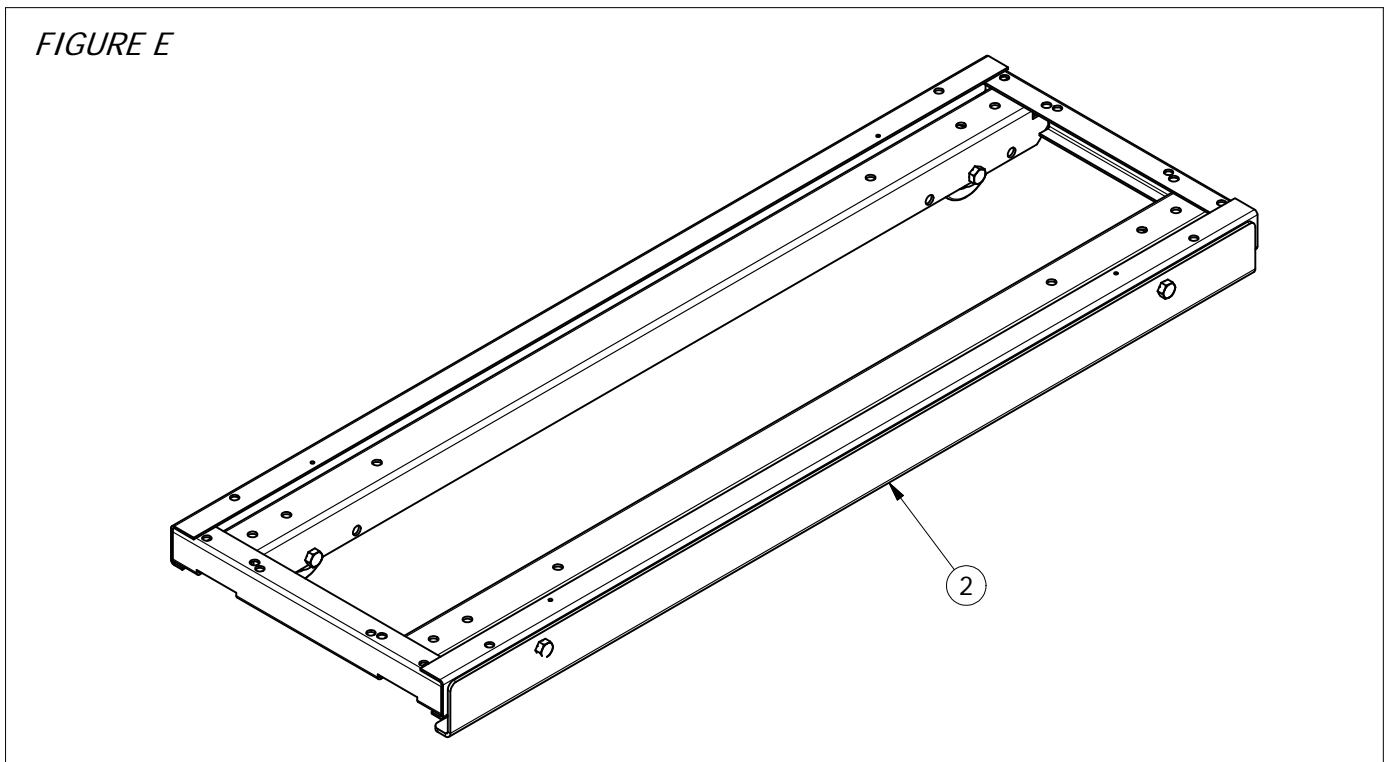
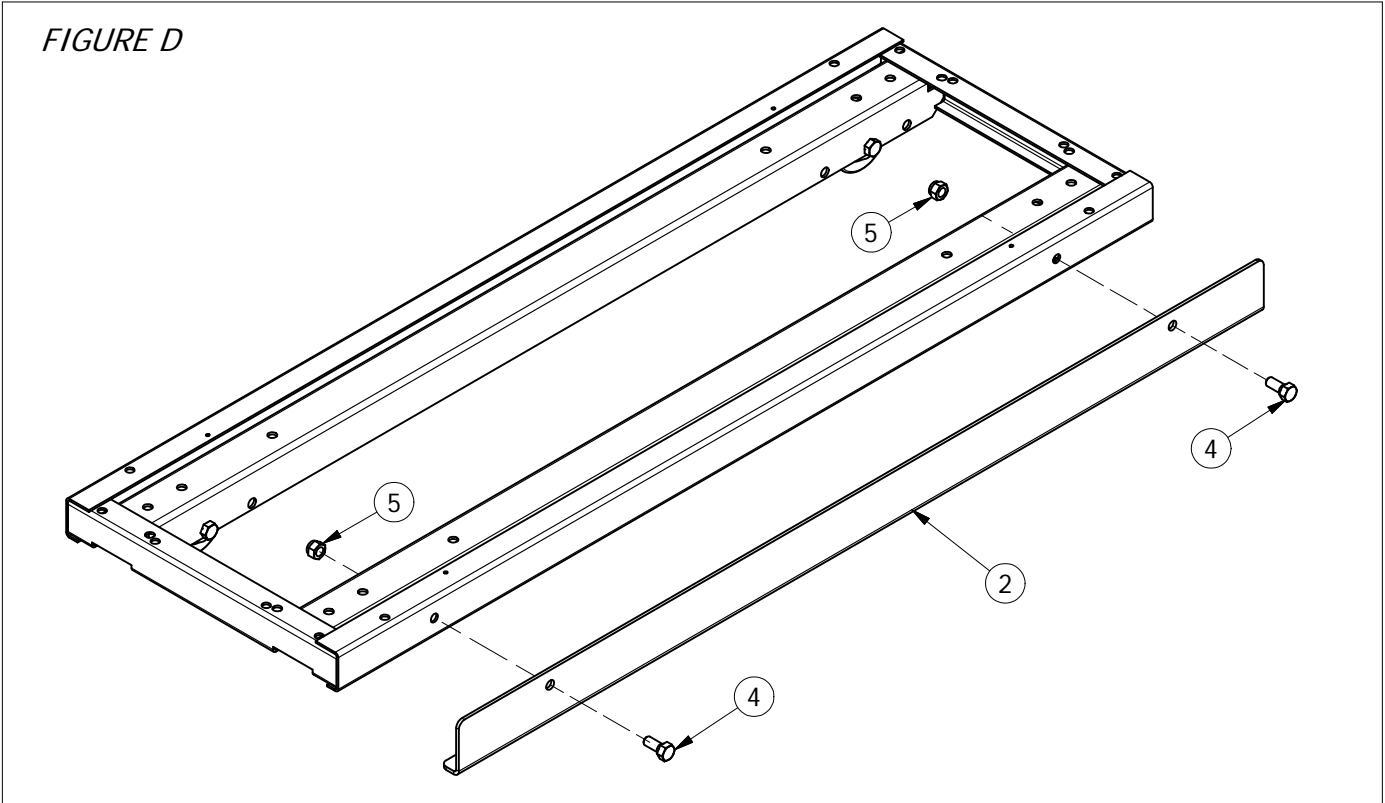
STEP:2

USING THE 2 HOLES IN THE DECKING SIDE SLIDER (ITEM 3) AS A PILOT, DRILL TEK SCREWS (ITEM 6) INTO FLANGE OF ITEM 1 AS SHOWN IN FIGURE B. FIGURE C SHOWS DECKING SIDE SLIDER INSTALLED.



**STEP:3**

ATTACH BRACKET CARRIAGE (ITEM 2) TO CARRIAGE, SECURING WITH QTY (2) 5/16-18 x 3/4" (ITEM 4) AND 5/16-18 ELASTIC STOP NUT (ITEM 5). FIGURE E SHOWS BRACKET CARRIAGE INSTALLED.



**STEP:4**

POSITION CARRIAGE TRACK IN FRONT OF STATIONARY UNIT, (SEE REFERENCE DIMENSIONS BELOW).  
BOLT CARRIAGE TRACK TO FLOOR THROUGH HOLES IN CROSS MEMBERS USING APPROPRIATE  
HARDWARE FOR TYPE OF FLOOR UNIT IS BEING MOUNTED ON, (SEE BELOW).

