

Recessed Stainless Steel Cabinet Assembly Guide

SMS-01-V101-SSCR

Page 1..... Installation Preparation

Page 2..... Recess Mounted Cabinet Installation

Page 3..... Surface Mounted Cabinet Installation

Page 4..... Pass Through Cabinet Installation

Page 5..... Operation And Maintenance

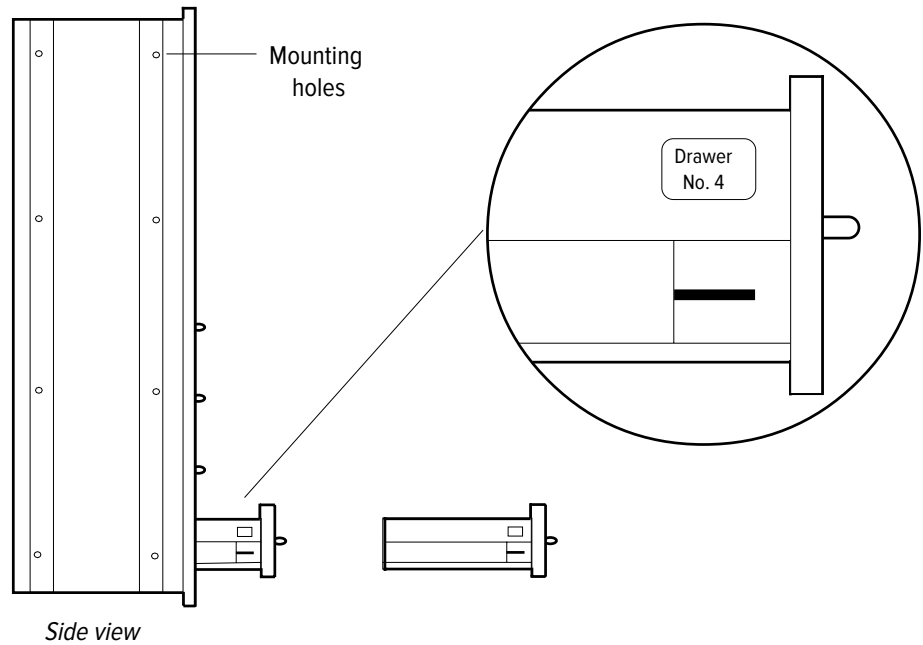


Installation Preparation

Remove drawers to access mounting holes.

If cabinet has drawers, remove them to access mounting holes. Toggle latches to release.

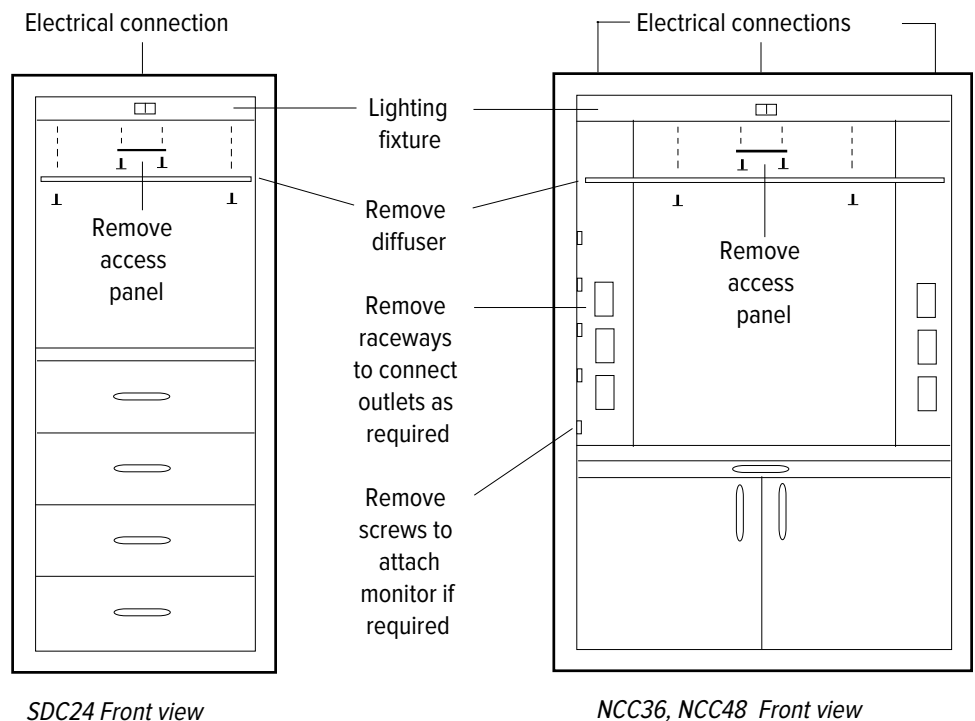
For correct alignment replace drawers to their original position by matching the number on the inside of the cabinet to the number on side of drawer.



Make electrical connections:

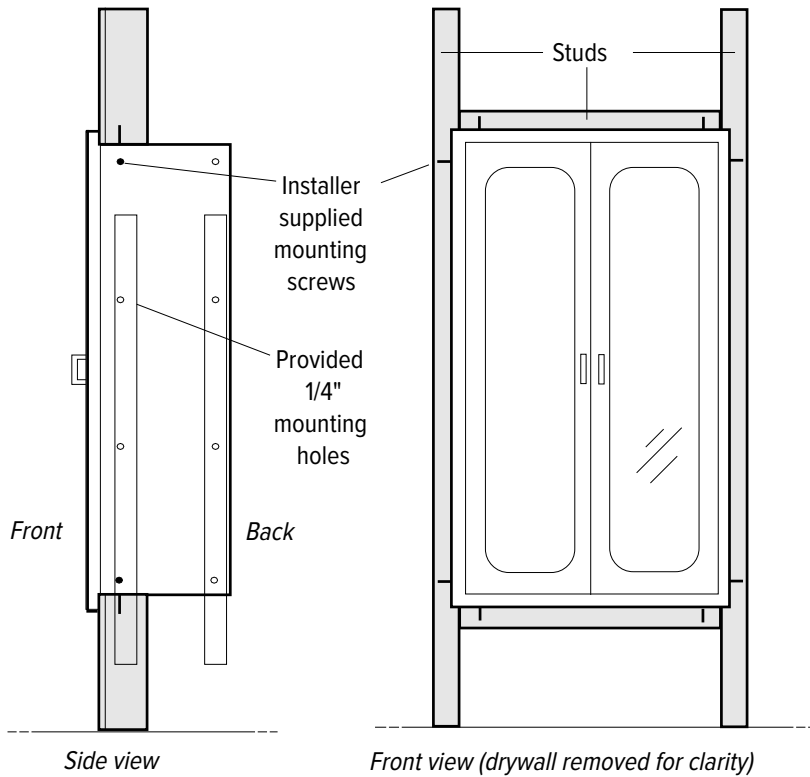
Some cabinets require electrical connections. Do so in conformance with local codes using a qualified electrician.

Route power and ground wires to cabinet. Make final connections by removing access panels.



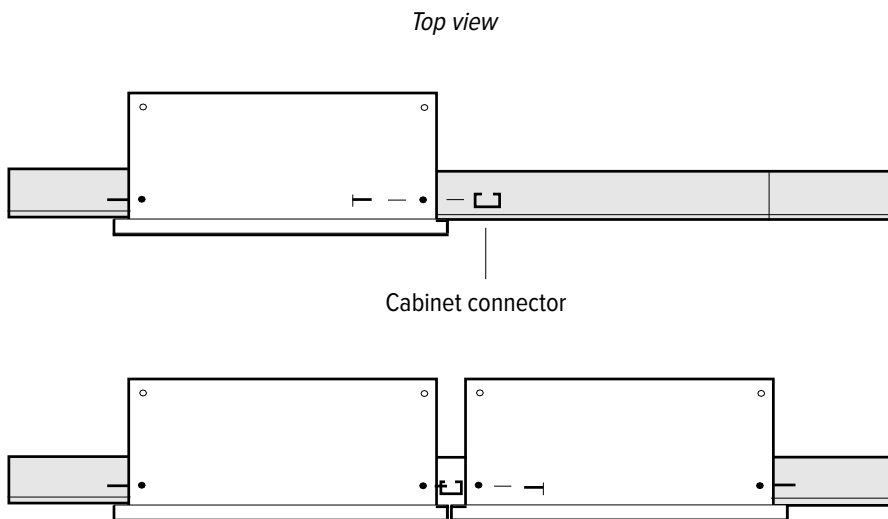
Recess Mounted Cabinet Installation

Cut wall opening, place cabinet and secure:



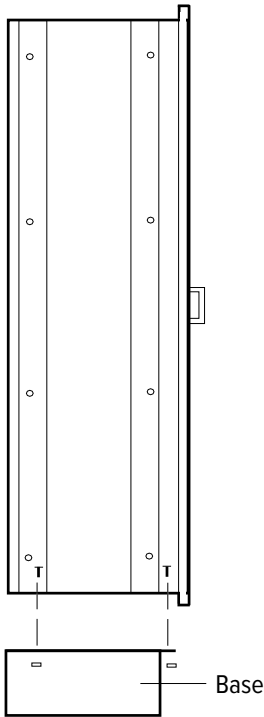
1. Check local codes. Seismic calculations available.
2. 1/4" Mounting holes provided. Mounting screws not supplied. Use screws suitable for wall material. All other screws, nuts provided.
3. Wall opening width is the front width of the cabinet(s), less 1 1/2".
4. Wall opening height is cabinet front height less 1 1/2".
5. Wall opening depth is cabinet side less 3/4".
6. Cut wall opening. Frame with stud material. Make sure cabinet mounting holes align with studs as shown. Check opening is square. Slide cabinet into wall. Do not lift by door handles.
7. Install mounting screws into provided holes. Do not over torque and damage cabinet. Hand torque only.
8. If multiple cabinet installation, attach cabinet connector.
9. Slide additional cabinet(s) into wall and secure screws to cabinet connector and mounting holes. Check cabinet(s) are installed square to insure proper door movement. Shim as needed.
- 10.

For multiple cabinet installation:



Surface Mounted Cabinet Installation

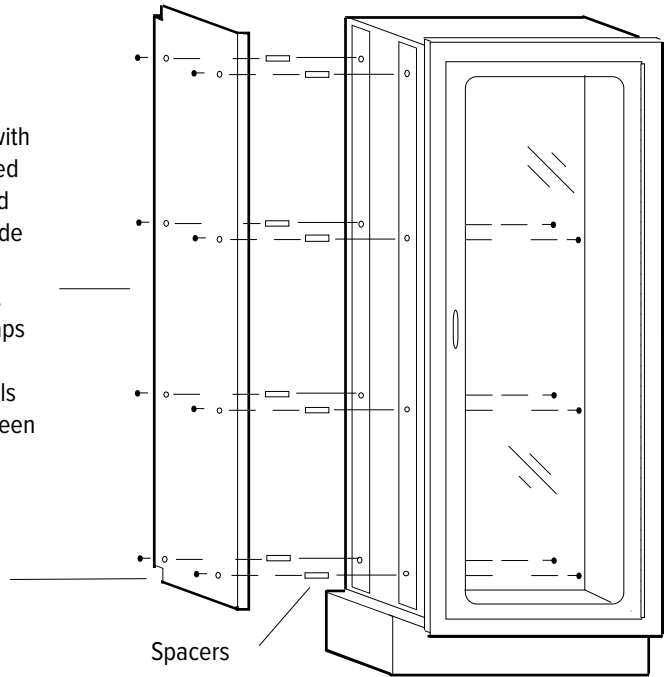
1. Secure base:



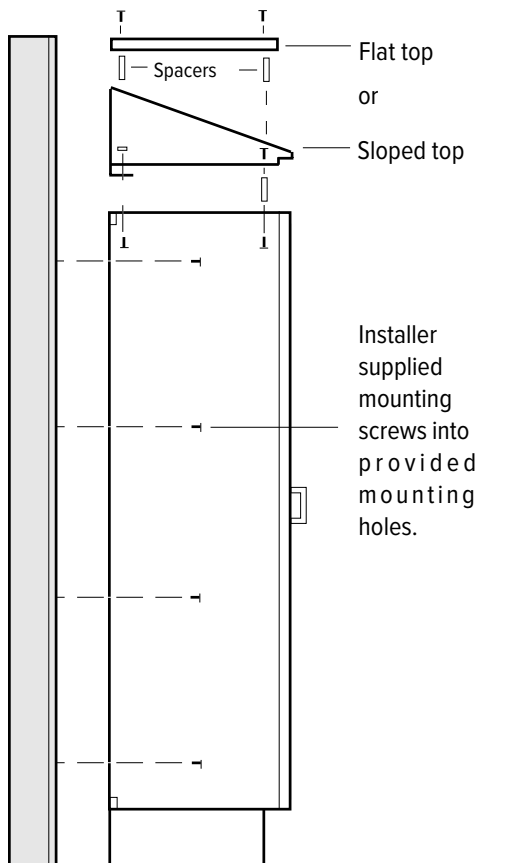
2. Secure side panels as required:

Place side panel with spacers on exposed side of cabinet and loosely attach inside screws. Perfect alignment, eliminating any gaps and tighten inside screws. Side panels not required between cabinets.

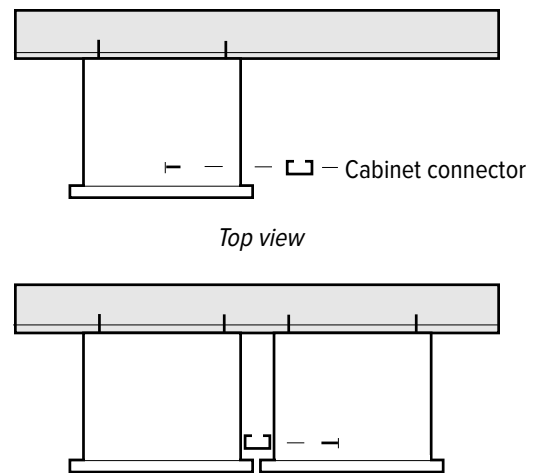
Notches in back



3. Secure top, then bolt cabinet to wall:



For multiple cabinet installation:

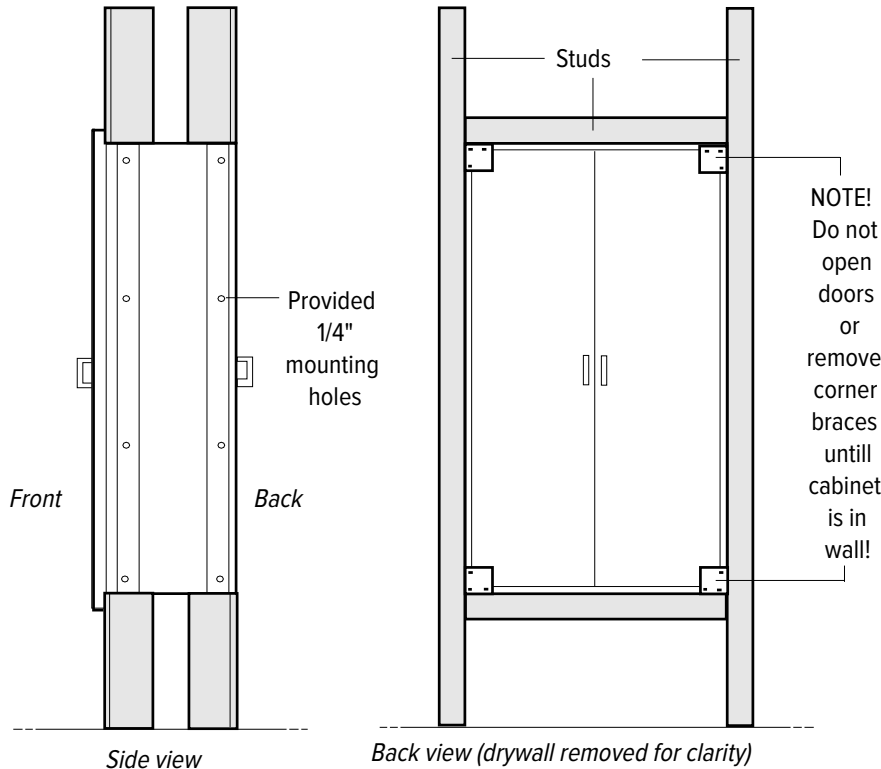


1. Check local codes. Seismic calculations available. 1/4"
2. Mounting holes provided. Mounting screws not supplied, use screws suitable for wall material. All other screws and nuts provided. Do not lift cabinet by door handles.
3. handles.
4. Be sure cabinet is installed square to insure proper door movement.
5. Do not over torque mounting screws and damage cabinet. Hand torque only.



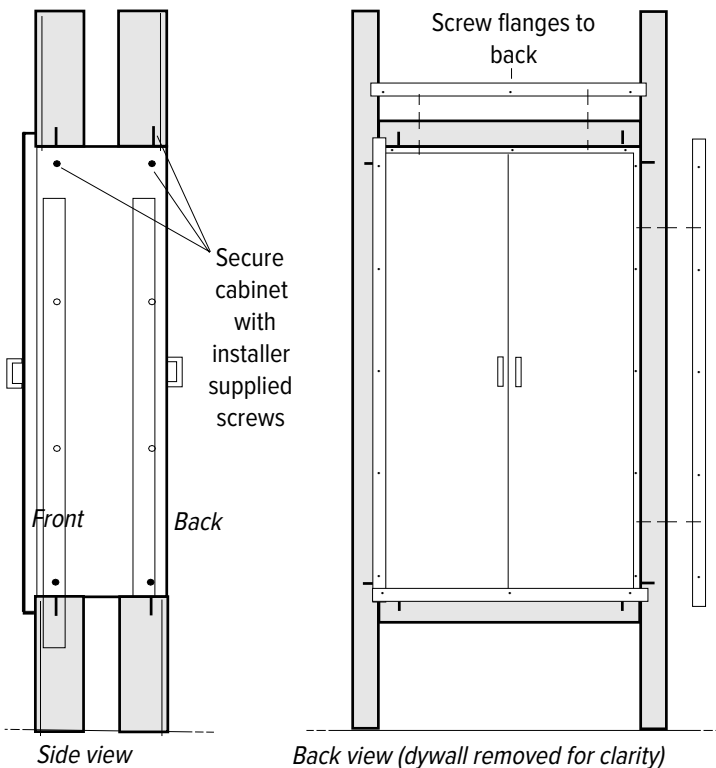
Pass Through Cabinet Installation

1. Cut wall opening and place cabinet:

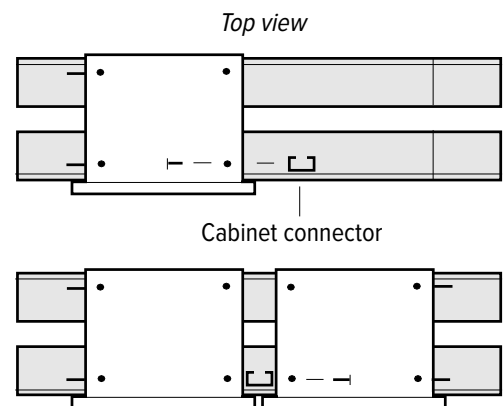


1. Check local codes. Seismic calculations available.
2. 1/4" Mounting holes provided. Mounting screws not supplied. Use screws suitable for wall material. All other screws, nuts provided. Wall opening width is the front width of the cabinet(s), less 1 1/2". Wall opening height is cabinet front height less 1 1/2". Wall opening depth is cabinet side less 3/4"
3. Cut wall opening. Frame with stud material. Make sure cabinet mounting holes align with studs as shown. Check opening is square. Slide cabinet into wall. Do not lift by door handles.
4. Install mounting screws into provided holes. Do not over torque and damage cabinet. Hand torque only.
5. If multiple cabinet installation, attach cabinet connector.
6. Slide additional cabinet(s) into wall and secure screws to cabinet connector and mounting holes. Check cabinet(s) are installed square to insure proper door movement. Shim as needed.

2. Secure cabinet to wall, attach flanges:

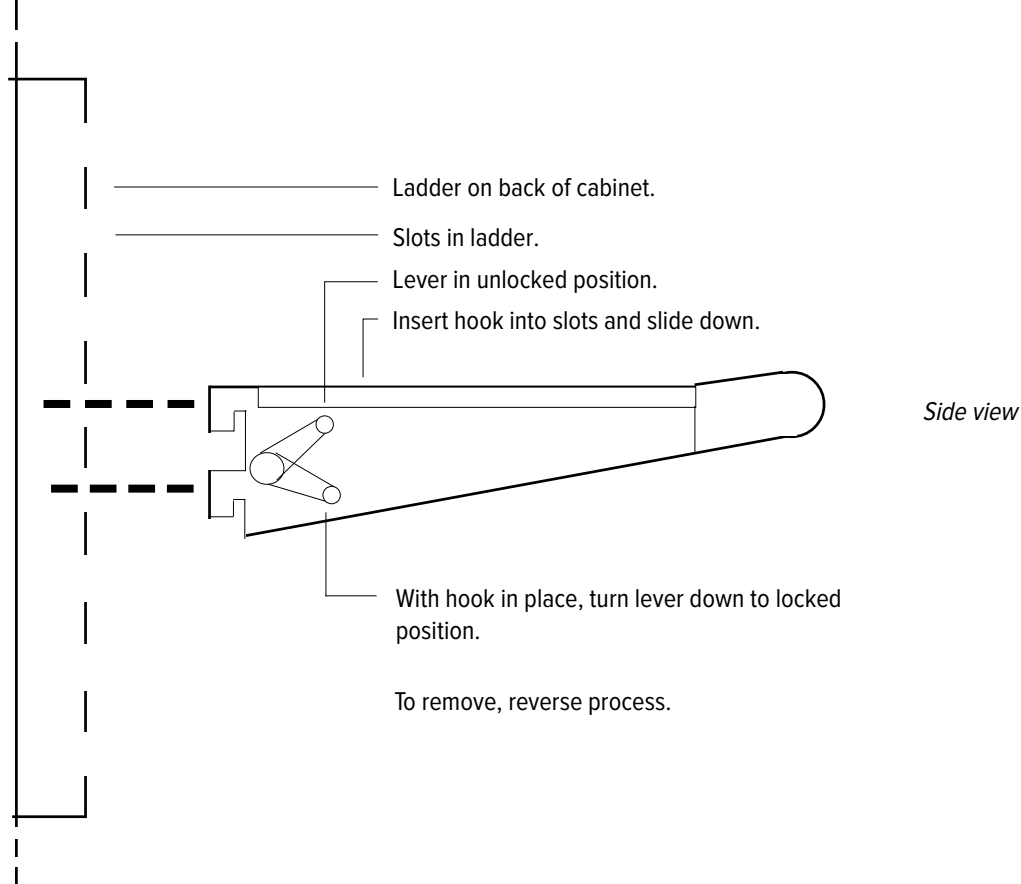


For multiple cabinet installation:

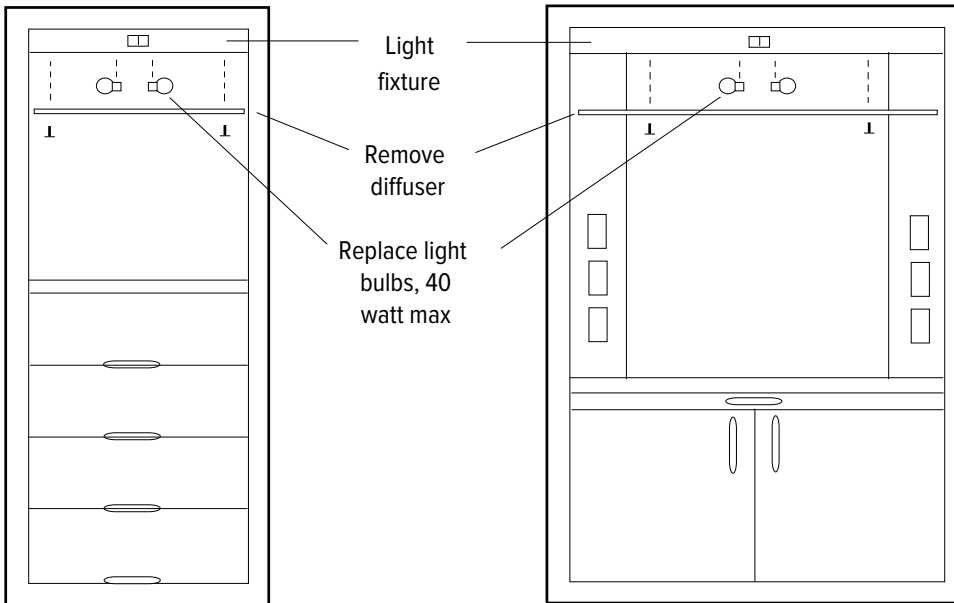


Operation And Maintenance

Placing / removing hooks on STC cabinets:



Replacing light bulbs:



SDC24 Front view

NCC36, NCC48 Front view

Cleaning:

Clean with a soft cloth dampened with isopro-pyl alcohol. If using other cleaners, use cau-tion and test first. Some can damage or cause corrosion to the cabinet and it's components. Do not expose cabinet to an excess of any liq-uid. Thoroughly dry cabinet with soft dry cloth. Rub all cloths in direction of grain, not in a circular motion to pre-serve finish.

