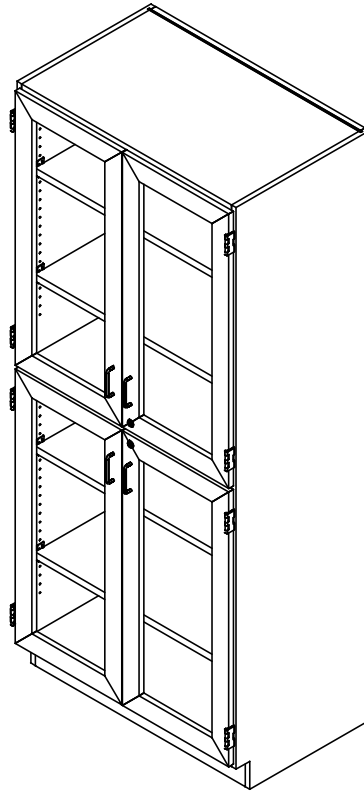


Microscope Storage Cabinet with Glass Locking Doors

SMS-01-V102-372

S- SERIES (84"H), TC- SERIES, L84- SERIES, TETC- SERIES, TTC- SERIES, WSC- SERIES, DBC- SERIES, PSC- SERIES, DTC- SERIES, GSC- SERIES, & OS- SERIES
ASSEMBLY INSTRUCTIONS



NOTE:

1. MODEL VIEWS MAY NOT REPRESENT EXACT MODEL PURCHASED

TOOLS REQUIRED

CONTACT CEMENT

SCREW DRIVER

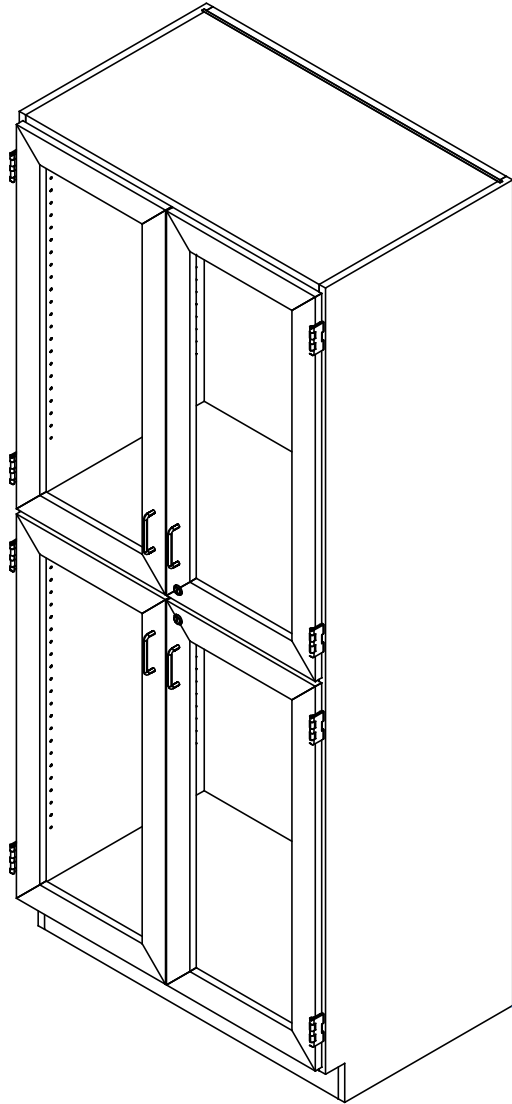
ASSEMBLY COMPONENTS

ITEMS INCLUDED	PART #	PART DESCRIPTION	QTY
RUBBER BASE MOLDING	100283	RUBBER BASE MOLDING (SOLD BY FOOT)	VARIES
STAINLESS STEEL CORNERS	100057	CORNERS-STAINLESS STEEL,BASE	2
SCREWS - BASE	100064	SCREW,#6X 1/2 PTH SMS SS SCREW	8
SHELF CLIPS	100027	SHELF CLIPS,PLASTIC,5MM PIN	VARIES
PLASTIC BINS - PSC-SERIES	15-0038	HANG BINS,7.37X4.125X3	80
TOTE TRAYS - 350-XXYY, 351-XXYY, TTC-SERIES, DTC-SERIES, & GSC-SERIES	100135	TOTE TRAYS, T-188	VARIES
TOTE TRAYS - L84-SERIES	15-0084	TOTE TRAY - 9X19X4-3/8H	6
TOTE TRAYS - L84-SERIES	15-0081	TOTE TRAY - 13.5X19X4.25H	8
MICROSCOPE DIVIDERS - 370-XXYY, 372-XXYY, & 373-XXYY SERIES	100995	MICROSCOPE DIVIDER,ZINC	VARIES

NOTE:

1. COMPONENTS VARY WITH STYLE OF TALL STORAGE UNIT PURCHASED.





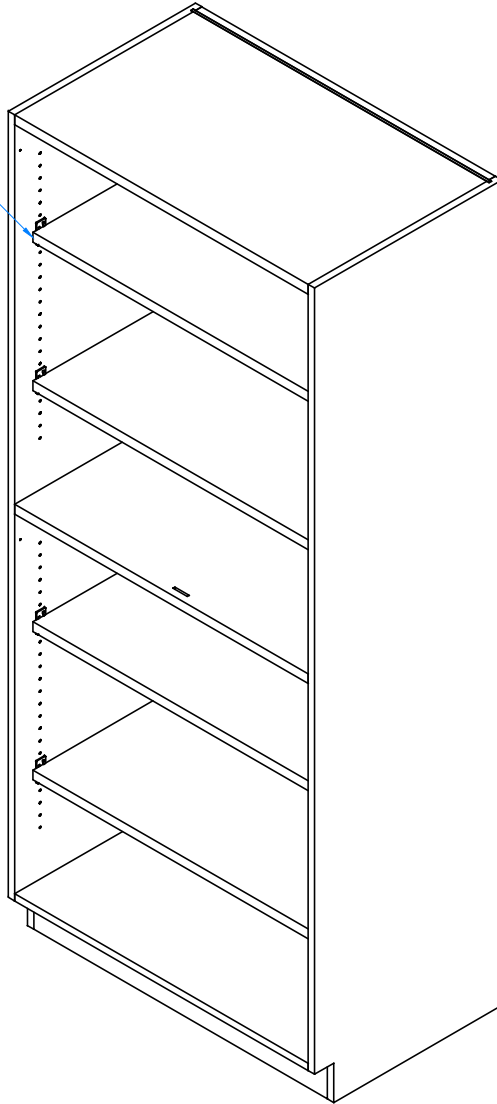
****NOTE****
CABINET MUST BE LEVELED OR
DOORS AND DRAWERS MAY NOT
OPEN OR CLOSE CORRECTLY

STEP 1:

- POSITION CABINET IN YOUR DESIRED LOCATION.
- LEVEL CABINET.
- ANCHOR TO WALL AS CABINET WILL BE TOP HEAVY.



ADJUSTABLE
SHELVES - TYPICAL

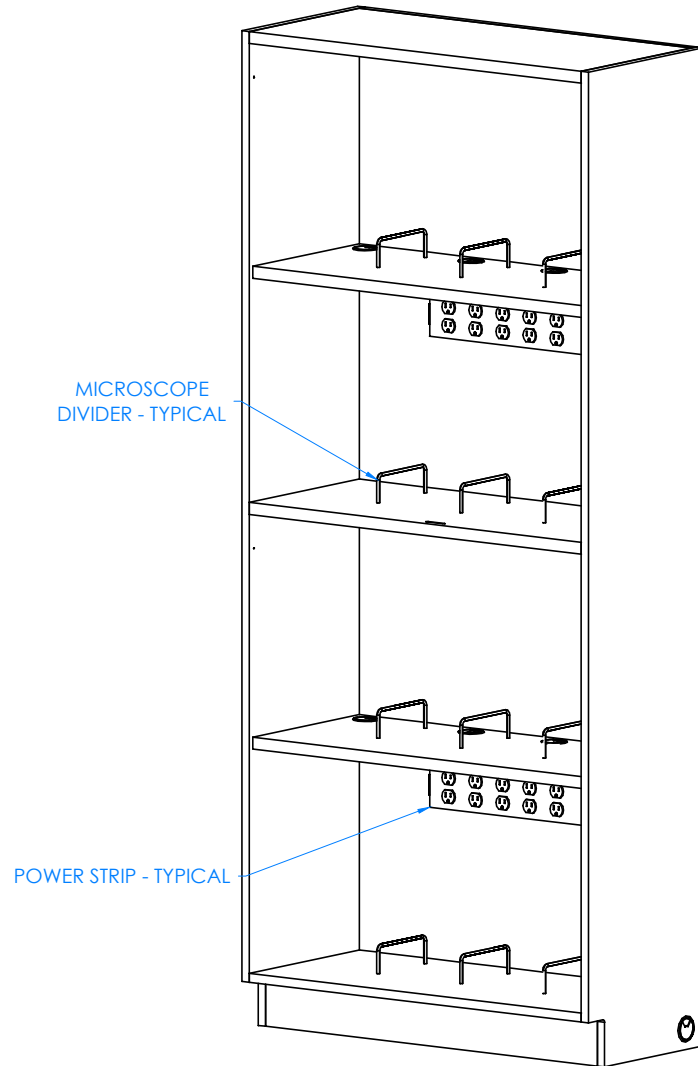


STEP 2:

- INSERT SHELF CLIPS IN DESIRED LOCATION.
- PLACE SHELVES ON CLIPS, MAKING SURE THEY ARE LEVEL.

DOORS AND HARDWARE REMOVED
TO SHOW CLARITY



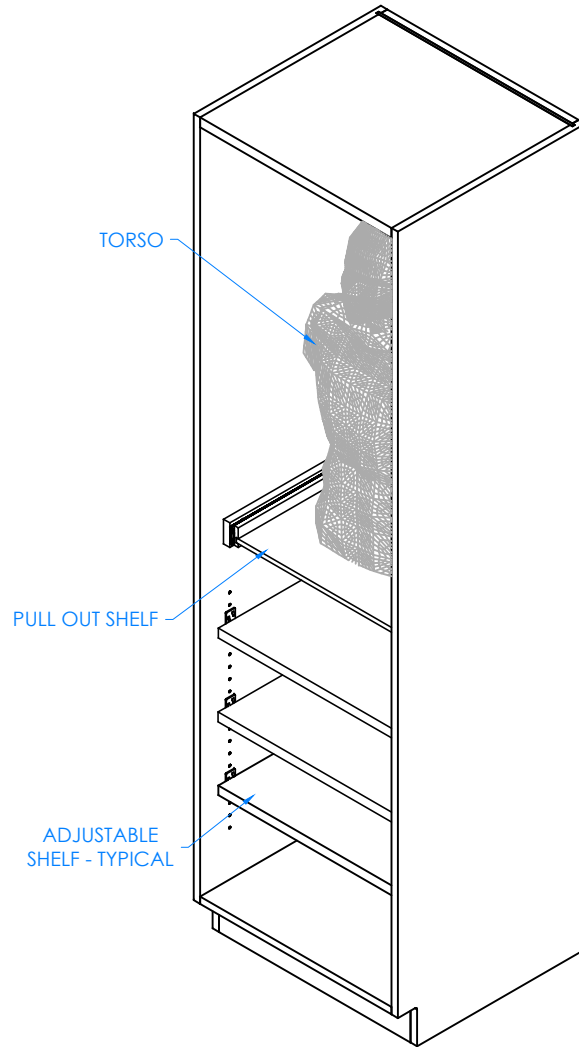


STEP 3:

- IF YOU DO NOT HAVE A MICROSCOPE CABINET (370-XXYY, 372-XXYY, OR 373-XXYY), SKIP TO STEP 5.
- ATTACH MICROSCOPE DIVIDERS TO SHELVES.
- PLUG IN POWER STRIP TO OUTLET.

MICROSCOPE CABINET SHOWN
DOORS AND HARDWARE REMOVED TO SHOW CLARITY



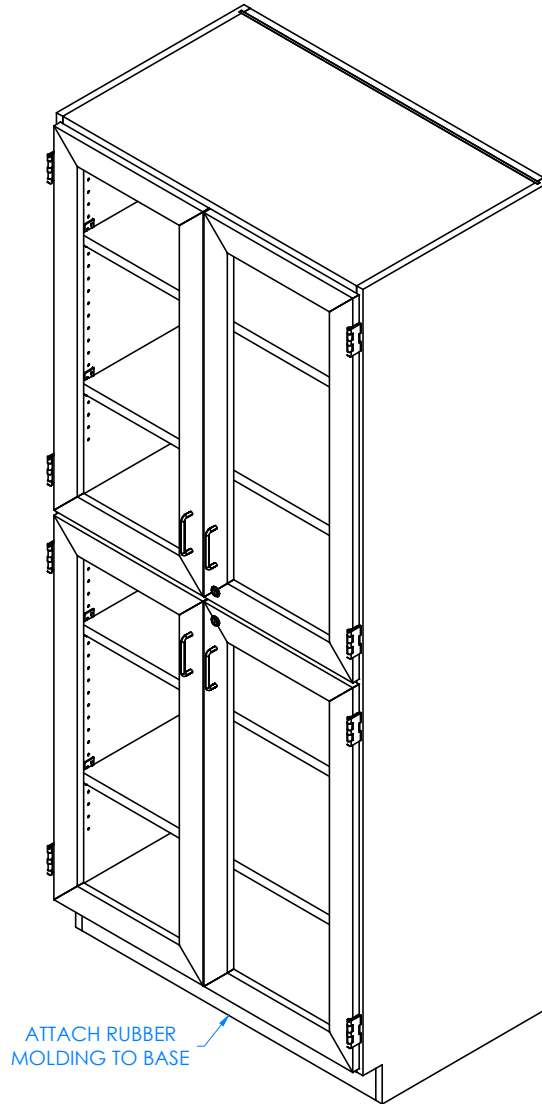


STEP 4:

- IF YOU DO NOT HAVE A TORSO CABINET (374-2422), SKIP TO STEP 5.
- PLACE TORSO ONTO PULL OUT SHELF.
- MAKE SURE TORSO IS STABLE!

TORSO CABINET SHOWN
DOORS AND HARDWARE REMOVED TO SHOW CLARITY





STEP 5:

- ATTACH RUBBER MOLDING TO BASE OF CABINET USING CONTACT CEMENT.
- SCREW STAINLESS STEEL CORNER BRACKETS ON EACH CORNER OVER BASE MOLDING WITH HARDWARE PROVIDED.
- IF YOUR UNIT HAS TOTE TRAYS OR PLASTIC BINS, PLACE THEM IN DESIRED LOCATION.

COMPLETE UNIT SHOWN

