

# Stainless Steel Wall Cabinets SMS-01-V69-WC

## Specification Sheet

### Short Form Specifications

Stainless Steel Wall Cabinet. Constructed of 18 gauge type 304 stainless steel, with stainless steel fixed center shelf and top sloped for cleaning. Back is recessed, with concealed mounting plate for installation. Available with open front, with sliding doors, or with hinged doors. Doors are double-panel stainless steel, and removable for cleaning.



*cabinet with open front*

### Design and Construction Features

- All type 304 stainless steel construction.
- Top is sloped forward to help reduce dust build-up.
- Stationary center shelf features safety edges. Additional shelves can be specified and are factory installed.
- Ends, back and bottom are folded and spot-welded together. All feature safety edges.
- Back is recessed, with full-length concealed mounting plate for easy installation.
- Cabinets are available with open front, hinged doors or sliding doors.
- All doors are double-panel and removable for easy cleaning.



*cabinet with hinged doors*

### Options / Accessories

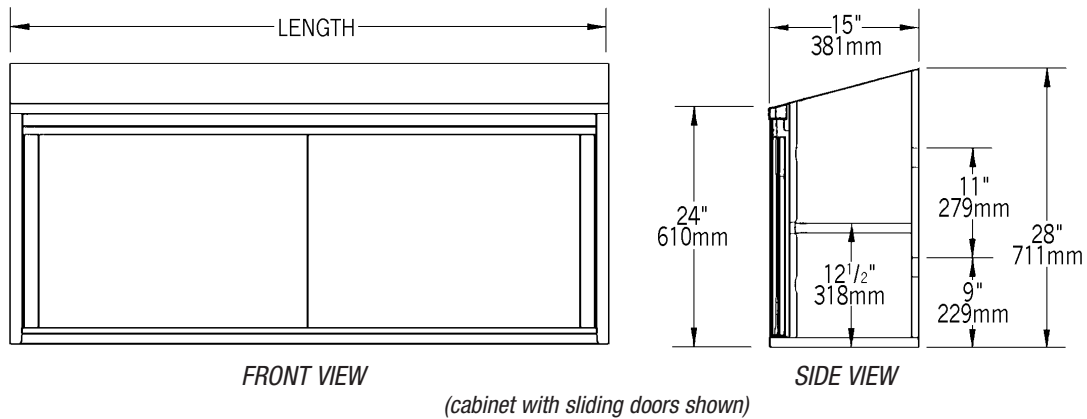
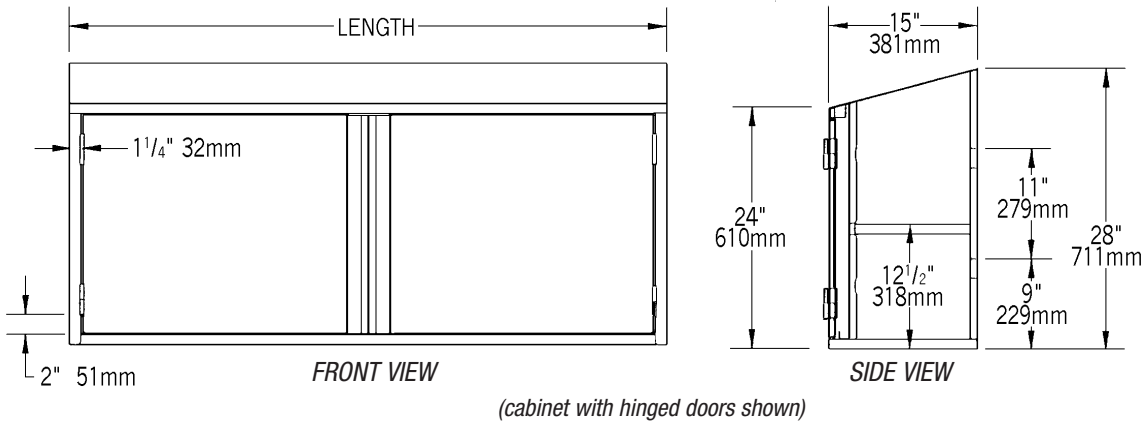
- Additional center shelves
- Door lock (suffix -L) for cabinets with hinged or sliding doors



*cabinet with sliding doors*



# Wall Cabinets



...WITH OPEN FRONT			...WITH HINGED DOORS*			...WITH SLIDING DOORS*			width		length	
weight			weight			weight			in.	mm	in.	mm
lbs.	kg	model #	lbs.	kg	model #	lbs.	kg	model #				
117	53.1	<b>WCO-24</b>	136	61.7	<b>WCH-24</b>	136	61.7	<b>WCS-24</b>	15"	381	24"	610
129	58.5	<b>WCO-30</b>	154	69.9	<b>WCH-30</b>	154	69.9	<b>WCS-30</b>	15"	381	30"	762
141	64.0	<b>WCO-36</b>	172	78.0	<b>WCH-36</b>	172	78.0	<b>WCS-36</b>	15"	381	36"	914
-	-		191	86.6	<b>WCH-42</b>	191	86.6	<b>WCS-42</b>	15"	381	42"	1067
165	74.8	<b>WCO-48</b>	208	94.3	<b>WCH-48</b>	208	94.3	<b>WCS-48</b>	15"	381	48"	1219
-	-		226	102.5	<b>WCH-54</b>	226	102.5	<b>WCS-54</b>	15"	381	54"	1372
189	85.7	<b>WCO-60</b>	224	110.7	<b>WCH-60</b>	244	110.7	<b>WCS-60</b>	15"	381	60"	1524
-	-		256	115.1	<b>WCH-66</b>	-	-		15"	381	66"	1676
213	96.6	<b>WCO-72</b>	262	118.8	<b>WCH-72</b>	262	118.8	<b>WCS-72</b>	15"	381	72"	1829
225	102.1	<b>WCO-84</b>	281	127.5	<b>WCH-84</b>	281	127.5	<b>WCS-84</b>	15"	381	84"	2134
-	-		298	135.3	<b>WCH-90</b>	298	135.3	<b>WCS-90</b>	15"	381	90"	2286
249	112.9	<b>WCO-96</b>	316	143.3	<b>WCH-96</b>	255	115.7	<b>WCS-96</b>	15"	381	96"	2438
-	-		-	-		359	162.9	<b>WCS-120</b>	15"	381	120"	3048

Optional door lock available for cabinets with doors. To order, add suffix -L (example: WCS-36-L)

